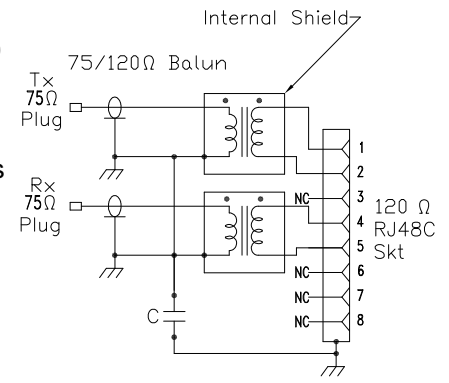


ELECTRICAL

Matching Impedance: 75 unbalanced coaxial to 120 balanced twisted pair
 Bit Rates: 2Mbit/s and 8Mbit/s as per G.703
 Return Loss: 2Mbit/s exceeds G.703 (>25dB from 51kHz to 3072kHz) and 8Mbit/s as per G.703 requirements
 Insertion Loss: <0.16dB for 2Mbit/s service (51kHz to 3072kHz) <0.3dB for 8Mbit/s service (211kHz to 12.672MHz)
 Cross Talk: >60dB from 51kHz to 12.672MHz between two channels
 Pulse Shape: 2Mbit/s and 8Mbit/s as per G.703
 Isolation Voltage: 250V DC between input and output
 Signal Levels: 2.37V nominal peak voltage at 2Mbit/s and 8Mbit/s at the coaxial end as per G.703
 EMC: EN50082-2 (CISPR 22) Class A for radiated emissions with UTP cable



Schematic Diagram

MATERIALS

Enclosure: ABS. Colour Grey
 Coax Connector Outer Contact: Brass Alloy AS 1567 Type 385. Finish Cu/Ni/Au
 Coax Connector Body: Brass Alloy AS 1567 Type 385. Finish Cu/Ni/Sn
 Coax Connector Insulator: PTFE
 Coax Connector Inner Contact: Brass Alloy AS 1567 Type 385. Finish Cu/Ni/Au
 RJ45 Housing: PBT Glass Filled, Black
 RJ45 Contacts: Phosphor Bronze. Finish Ni/Au
 RJ45 Shield: Bronze. Finish Sn

COAXIAL CONNECTOR (75)

SMB Series: IEC 169-10

RJ45 CONNECTOR

Type: Shielded, 8 Position
8 Contacts

ENVIRONMENTAL

Working Temperature: -30°C to +75°C
 RoHS Compliance: To EU Directive 2011/65/EU

MOUNTING OPTIONS

- To Panel, use M3x8mm screws, not supplied
- To Flat Surface, use double sided tape supplied

